



Hart & Cooley[®]
install confidence

Residential Grilles, Registers & Diffusers

Edition 5

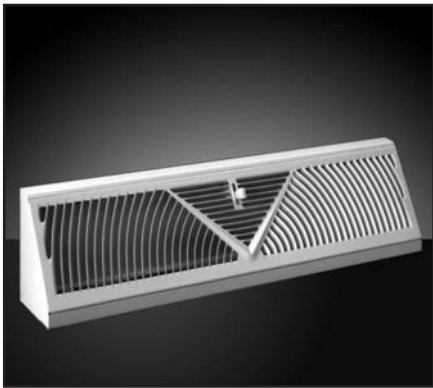
See
Inside
Front
Cover For
What's New...

RESIDENTIAL

Product Information Engineering Data

BASEBOARD REGISTERS & GRILLES

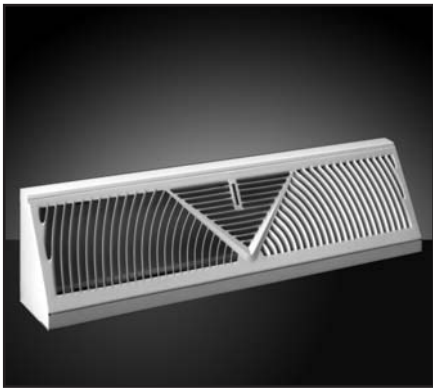
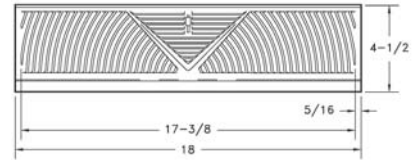
405	Steel (Baseboard) Diffuser, 18"	7	.41
406	Steel (Baseboard) Diffuser, 15" or 18"	7	.41
407	Steel (Baseboard) Return Grille	7	
462	Steel (Baseboard) Diffuser	7	.41
472	Steel (Baseboard) Return Grille	7	.41
464	Steel (Baseboard) Diffuser	8	.41
474	Steel (Baseboard) Return Grille	8	.41
654	Steel (Baseboard) Register	8	.41
655	Steel (Baseboard) Register	9	.41
657	Steel (Baseboard) Return Grille	9	.41
658	Steel (Baseboard) Return Grille	9	.41
664	Steel (Baseboard) Register	10	.41
674	Steel (Baseboard) Return Grille	10	.46



405/406 Baseboard Diffuser

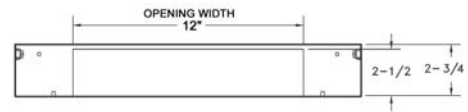
- All-steel construction
- Blankets wall or window area
- Golden Sand or Bright White enamel finish

Model Number	Size	Free Area Sq. In.	Overall Length	Height	Base Projection	Opening Width
405	18"	38	18	5 ¹ / ₄	2 ¹³ / ₁₆	12
406	15"	32	15	4 ¹ / ₂	2 ³ / ₄	12
406	18"	38	18	4 ¹ / ₂	2 ¹³ / ₁₆	12
407	18"	38	18	4 ¹ / ₂	2 ¹³ / ₁₆	12



407 Matching Return Air Grille

- All-steel construction
- Complementary return air grille for Model 405 or Model 406 supply
- Golden Sand or Bright White enamel finish



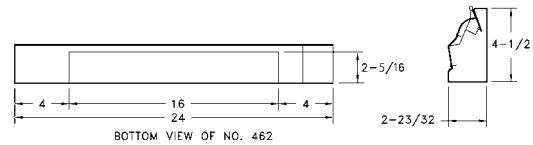
406 18" Shown



462 Baseboard Diffuser

- All-steel construction
- Two-foot length
- Airfoil valves reduce resistance
- Equal air distribution over the length of the diffuser
- Face can be easily removed
- Golden Sand or Bright White enamel finish

Model Number	Size	Free Area Sq. In.	Overall Length	Height	Base Projection	Bottom Opening
462	2'	27	24	4 ¹ / ₂	2 ²³ / ₃₂	2 ⁵ / ₁₆ X 16
472	2'	42	24	4 ¹ / ₂	2 ²³ / ₃₂	2 ⁵ / ₁₆ X 16

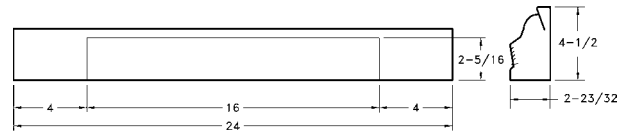


BOTTOM VIEW OF NO. 462



472 Matching Return Air Grille

- All-steel construction
- Two-foot length
- Complementary return air grille for Model 462 supply
- Golden Sand or Bright White enamel finish



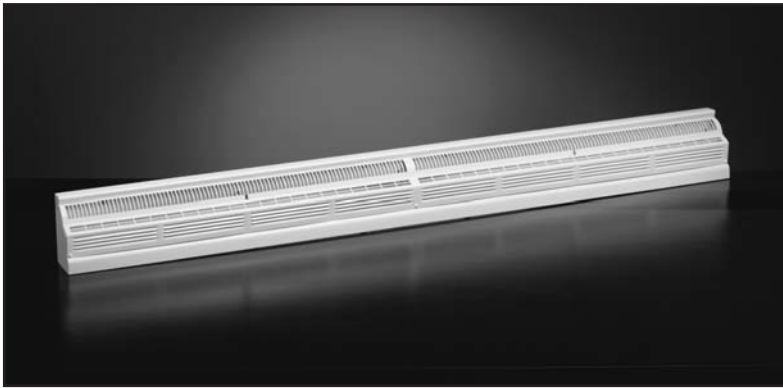
BOTTOM VIEW OF NO. 472

Baseboard Registers & Grilles



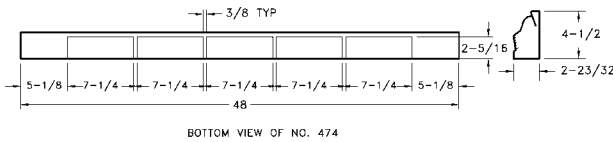
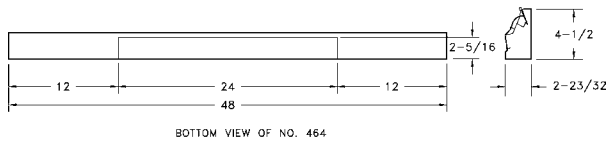
464 Baseboard Diffuser

- All-steel construction
- Four-foot length
- Airfoil valves reduce resistance
- Equal air distribution over the length of the diffuser
- Dual valves
- Face can be easily removed
- Golden Sand or Bright White enamel finish



474 Matching Return Air Grille

- All-steel construction
- Four-foot length
- Complementary return air grille for Model 464 supply
- Golden Sand or Bright White enamel finish



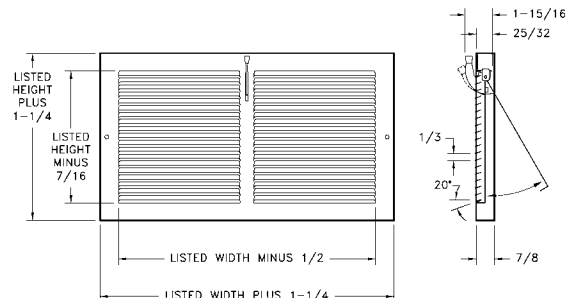
Model Number	Size	Free Area Sq. In.	Overall Length	Height	Base Projection	Bottom Opening
464	4'	54	48	4 1/2	2 ²³ / ₃₂	2 ⁵ / ₁₆ X 24
474	4'	84	48	4 1/2	2 ²³ / ₃₂	2 ⁵ / ₁₆ X 36 ¹ / ₄



654 Baseboard Register with Damper

- One-piece steel construction
- 1/3" spaced fins set at 20 degrees
- 7/8" margin turnback
- Exceptional free area
- Positive volume-control damper
- Bright White enamel finish

654 Available Sizes (in.)			
HT	WIDTH		
	10	12	14
6	X	X	X

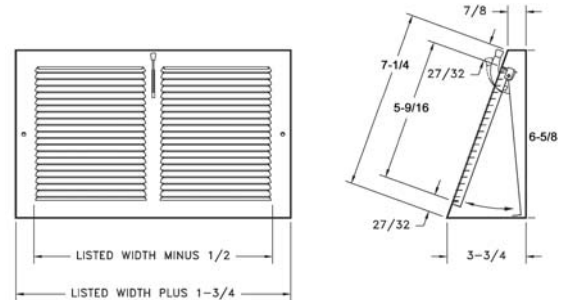




655 Baseboard Register with Damper

- All-steel construction
- 1/3" spaced fins set at 20 degrees
- Volume-control damper
- Bright White enamel finish

655 Available Sizes (in.)				
HT	WIDTH			
	8	10	12	14
6	X	X	X	X

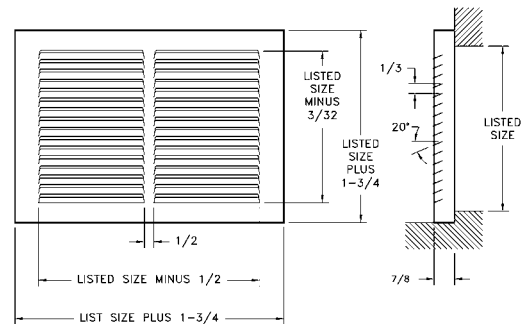


657 Baseboard Return Air Grille

- One-piece steel construction
- 1/3" spaced fins set at 20 degrees
- 7/8" margin turnback
- Exceptional free area
- Install with fins upward or downward for best duct concealment
- Complementary return air grille for Model 654 or 664 supply
- Golden Sand or Bright White enamel finish

657 Standard Sizes (in.)								
HT	WIDTH							
	4							
6	X	X	X	X	X	X	X	X
8	X	X	X	X	X	X	X	X
10			X		X	X	X	
12			X			X	X	

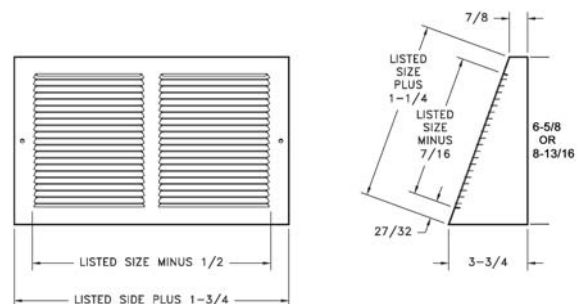
Contact factory for sizes not listed.



658 Baseboard Return Air Grille

- All-steel construction
- 1/3" spaced fins set at 20 degrees
- Complementary return air grille for Model 655 supply
- Bright White enamel finish

658 Available Sizes (in.)					
HT	WIDTH				
	10	12	14	24	30
6	X	X	X	X	X
8			X	X	X



Baseboard Registers & Grilles

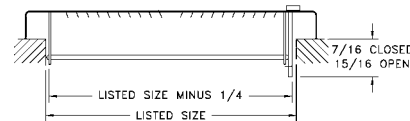
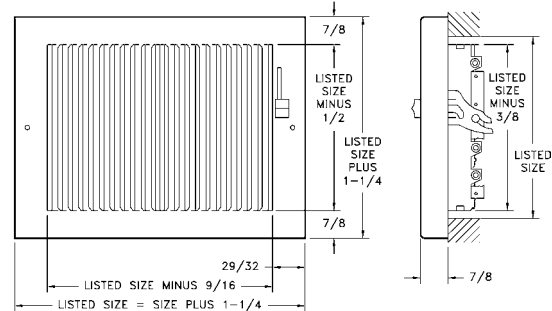


664 Baseboard Register

- All-steel construction
- 1/3"-spaced fins set at 20 degrees
- 7/8" margin turnback
- 1-5/8" depth when fully opened
- Exceptional free area
- Ideal for shallow duct installations
- Multi-shutter valve
- Bright White enamel finish

664 Available Sizes (in.)				
HT	WIDTH			
	8	10	12	14
6	X	X	X	X
8			X	

Contact factory for sizes not listed



674 Return Air Grille

- One-piece steel construction
- 1/2"-spaced fins set at 40 degrees
- 7/8" margin turnback
- Complementary return air grille for 1/2"-spaced products
- Bright White enamel finish

674 Available Sizes (in.)			
HT	WIDTH		
	14	24	30
6	X	X	X
8	X	X	X

